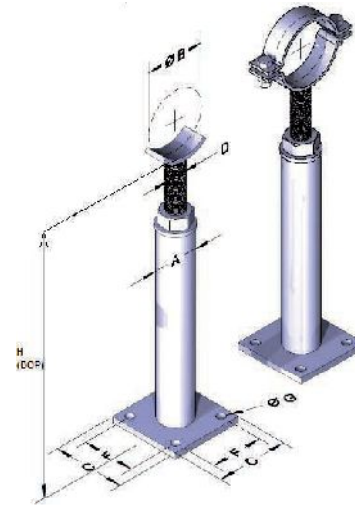


An innovative stanchion type pipe support for use where vertical adjustment is required, Approximately 120mm of vertical adjustment. Anchorage Height Adjustable Pipe Supports require no welding on site.

MATERIAL: Height Adjusting nut - Supplied standard with base plate & stanchion, available with a cradle, clamp, flange or universal mount. Supplied standard with a galvanized finish - also available powder-coated or from stainless steel construction.

INSTALLATION: Adjustment is obtained by turning the nut. Clamp version supplied with fasteners. Chemical anchor sets and hold bolts, optional.

HOW TO ORDER: Specify pipe size, part number, H dimension (average height from ground), description and finish.



PIPE SIZE NB	A	ØB	C		D	F	ØG	H	APPROX. WEIGHT KG . PER UNIT		SWL TONNES	PART NO	
			SQUARE						CRADLE	CLAMP		WITH CRADLE	WITH CLAMP
50	43	60.3	180		M24	115	22	TBA	6.4	7.3	2	Anchorage APS-50	Anchorage APS-51
65	43	76.1	180		M24	115	22	TBA	6.4	7.6	2.5	Anchorage APS-65	Anchorage APS-66
80	43	88.9	180		M24	115	22	TBA	6.5	7.9	3	Anchorage APS-80	Anchorage APS-81
90	43	101.6	180		M24	115	22	TBA	6.6	8.1	3.5	Anchorage APS-90	Anchorage APS-91
100	43	114.3	180		M24	115	22	TBA	6.6	8.4	4	Anchorage APS-100	Anchorage APS-101
125	43	139.7	200		M24	140	22	TBA	6.8	8.9	4.5	Anchorage APS-125	Anchorage APS-126
150	89	165.1	200		M48	140	22	TBA	6.9	9.5	5	Anchorage APS-150	Anchorage APS-151
200	89	219	250		M48	190	22	TBA	7.1	10.5	5.5	Anchorage APS-200	Anchorage APS-201
250	89	273	250		M48	190	22	TBA	7.4	11.6	6	Anchorage APS-250	Anchorage APS-251
300	114	324	250		M56	190	22	TBA	8.6	13.6	6.5	Anchorage APS-300	Anchorage APS-301
350	114	356	300		M56	240	22	TBA	8.8	14.2	7	Anchorage APS-350	Anchorage APS-351
400	114	406	300		M56	240	22	TBA	9.0	15.2	8	Anchorage APS-400	Anchorage APS-401

Maximum Safe Working Loads for Anchorage Height Adjustable Pipe Stands are in tonnes and are calculated for vertical loads only.